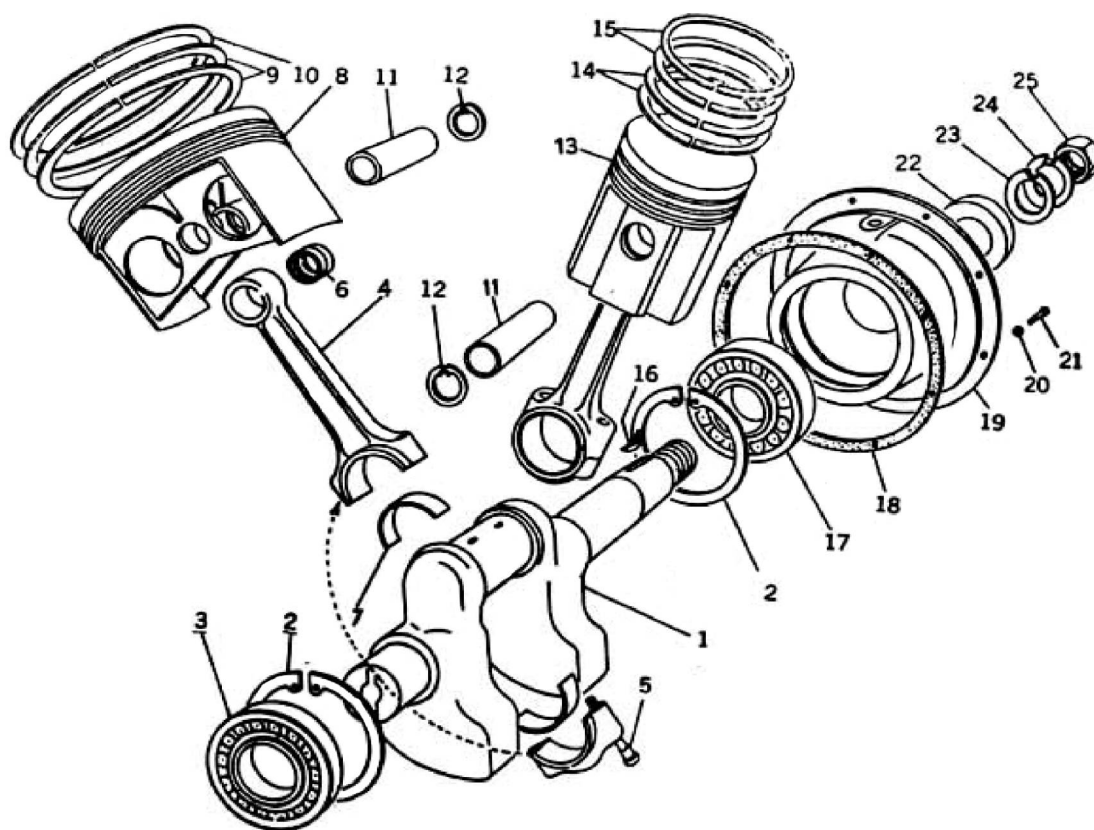


3. Crank Assembly



No.	Description	Ref. Part No.	QTY
1	Crankshaft Vt/Bt - 4	1614037405	1
2	Circlip	0335217800	2
3	Roller bearing	0508263000	1
-	Connecting rod, Vt & Bt - 4/6 (C.D - 237mm)	1404085082	2
4	- Rod (Not suppl.sep.)	---	1
5	- Bolt	1614032300	2
6	Bearing needle	0516320600	1
7	Bearing shell standard	1404231300	4
7.1	Bearing 0.01" undersize	1404231310	4
7.2	Bearing 0.02" undersize	1404231320	4
7.3	Bearing 0.03" undersize	1404231330	4
7.4	Bearing 0.04" undersize	1404231340	4
-	Piston Set LP & HP (8&13)	VT PISTON	1
8	Piston, LP	1404195400	1
-	Piston Ring Set STD (Set of 7 pcs.)	VT STD	1
9	- Scraper ring 220 mm	1404232900	1
10	- Compression ring 220 mm	1404232800	2
14	- Scraper ring 130 mm	1616037500	2
15	- Compression ring 130 mm	1616037600	2
11	Gudgeon pin	1404084000	2
12	Circlip	0335213200	4
13	Piston, HP	1404195500	1
16	Key	1619011000	1
17	Roller bearing	0506422400	1
18	Gasket	1616037000	1
19	Bearing housing	1616030500	1
20	Spring washer	0333213000	8
21	Screw	0144328600	8
22	Seal ring	0666853500	1
23	Washer	1614037700	1
24	Lock washer	1614037800	1
25	Nut	1614037500	1